



Infraduo

Halogen infrared heater with the perfect combination of heating and lighting

Infraduo IHD is a halogen infrared heater incorporating LED spotlights at each end, making it very practical for all situations where both heating and light is required.

The LED spotlights can be rotated through 180° and are controlled separately from the heating.

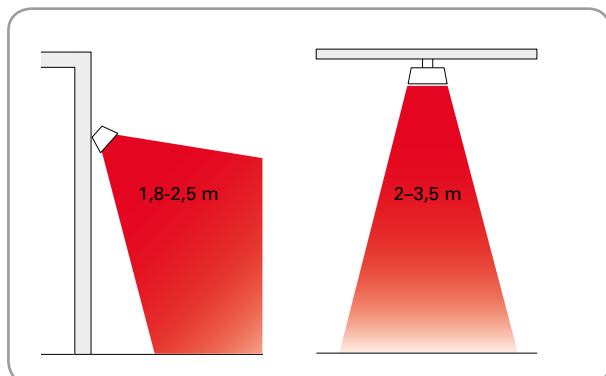
Infraduo has an attractive design in polished aluminium allowing easy placement in any environment. With its high IP class, it is also suitable for use in high humidity conditions.

- Fitted with dual LED spotlights (2x3.5W) which can be rotated through 180°.
- Heating and lights are controlled individually.
- Halogen lamp with gold infrared tube and polished aluminium reflector.
- High protection class, IP65.
- Wall bracket included. Other mounting alternatives are available as accessories, e.g. ceiling bracket and floor stand.
- Polished aluminium housing.

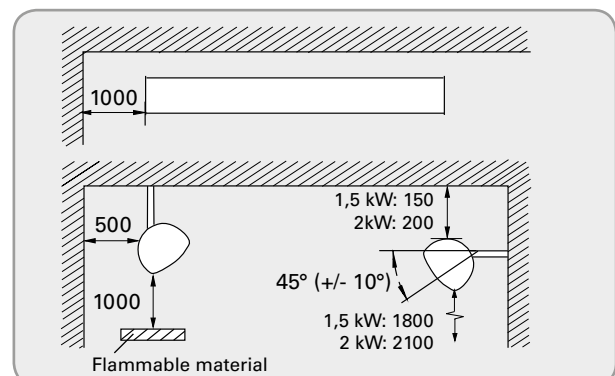
Infraduo (IP65)

Type	Heat output [W]	Voltage [V]	Max. filament temperature [°C]	Dimensions LxHxW [mm]	Weight [kg]
IHD17	1650	230V~	1800	825x125x95	3,4
IHD20	2000	230V~	1800	825x125x95	3,4

Installation height

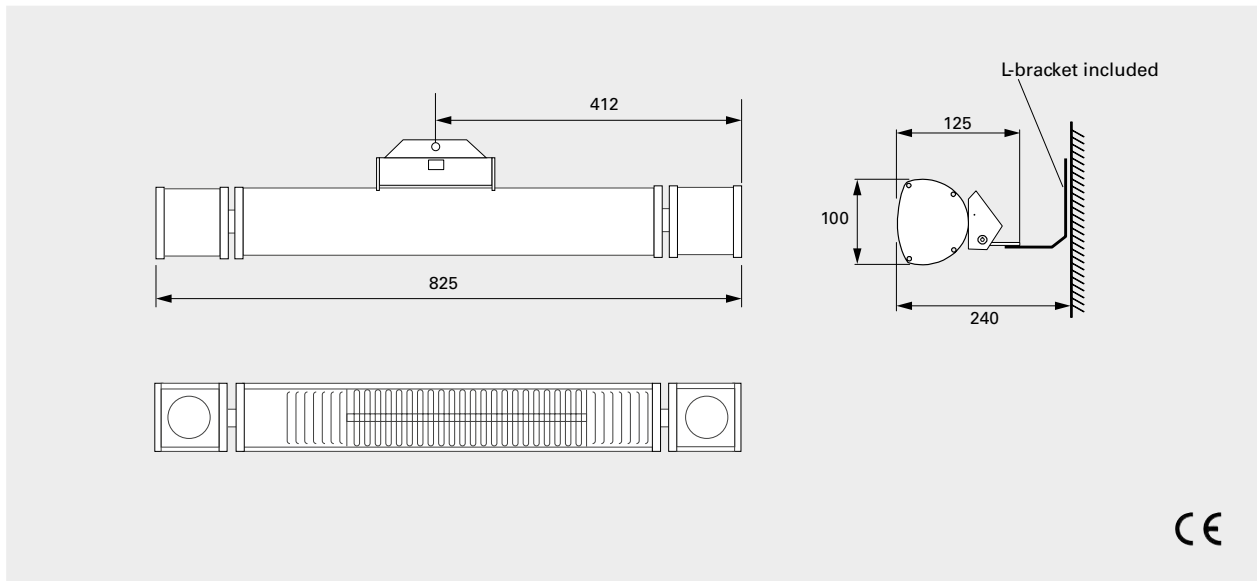


Minimum distances



Design and specifications are subject to change without notice.

Dimensions



Positioning, mounting and connection

Positioning

The heaters must be placed so that they cover the area to be heated, see fig. 1. The normal mounting height is 2–3 metres above the ground/floor. A rule of thumb for infrared heaters is that 600–800 W/m² increases the experienced temperature by about 10 °C. The output demand can be reduced if the area to be heated is protected. If the area only has a roof, at least 800 W/m² should be installed. 600 W/m² is sufficient if the area has three walls. For enclosed areas, the output demand must be calculated. Optimum comfort is achieved if the heat is distributed from at least two directions.

Mounting

IHD is installed horizontally on walls with supplied bracket. The heater can be angled up to 45°. For other mounting alternatives, e.g. in the ceiling, on a floor stand, under a parasol or awning, see accessories.

Connection

IHD is intended for permanent installation.

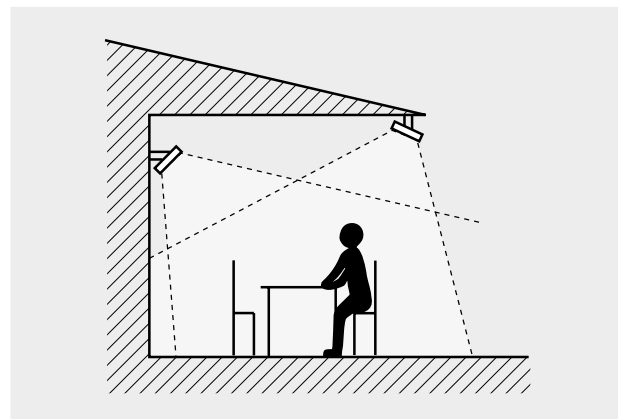


Fig. 1: The heaters should heat from at least two directions for even heating.



Control options

Timer control

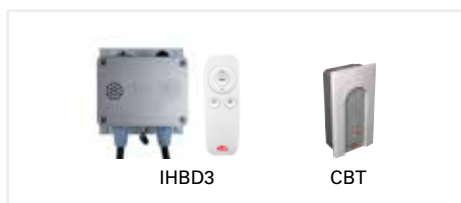
The timer can be set to a desired time. If the current load exceeds the timer's setting range or if you want to control a larger system, a contactor can be used.

- CBT, electronic timer

Comfort control

The comfort controller allows you to wirelessly control one or more infrared heaters via an app (iOS or Android) or by using the remote control supplied. The IHBD3 offers stepless control via the Frico Infra app, or 5 step regulation when using the remote control.

- IHBD3, comfort controller



Type	Description
IHBD3	Comfort controller for infrared heater, 3000W, 230V~, IP65
CBT	Electronic timer, IP44

For further information and options, see the "Controls" section.

Accessories



KLS1KS, bracket with velcro
Bracket with velcro for quick and flexible mounting under a parasol or an awning.

BHSS-3, floor stand
Floor stand for portable use. Height up to 2.1 m.

BCDF, ceiling bracket
Used to secure the infrared heater in the ceiling.

IHXH, drooping extension bracket for high level mounting
Used to install the heater at high level, such as above a window. Wall bracket included.

IHXL, arching extension bracket for low level mounting
Used to install the heater at low level, such as on a windbreak. Wall bracket included.

Type	Description
KLS1KS	Bracket with velcro
BHSS-3	Floor stand, up to 2.1 m
BCDF209010	Ceiling bracket, 200 mm, white
BCDF209005	Ceiling bracket, 200 mm, black
BCDF207016	Ceiling bracket, 200 mm, grey
IHXH	Extension bracket for high level mounting
IHXL	Extension bracket for low level mounting